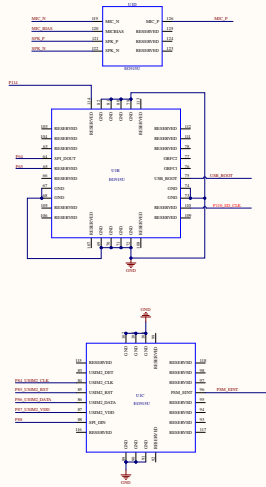
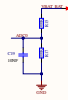


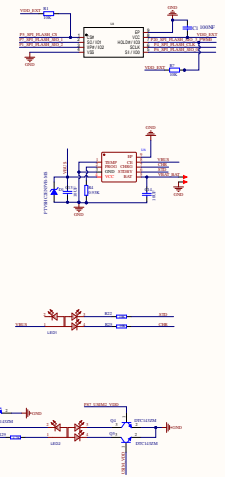
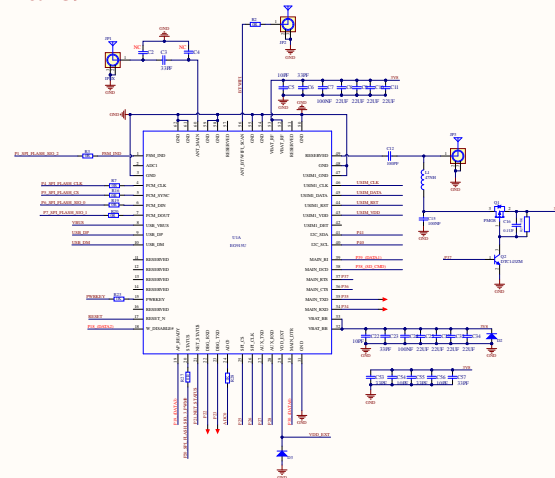
BG95-XX&EG91-XX



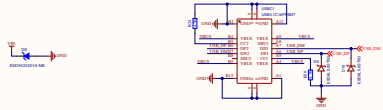
ADC



BG95-XX&EG91-XX



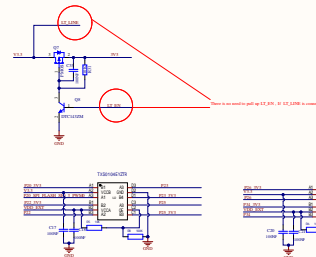
Type-C&USB



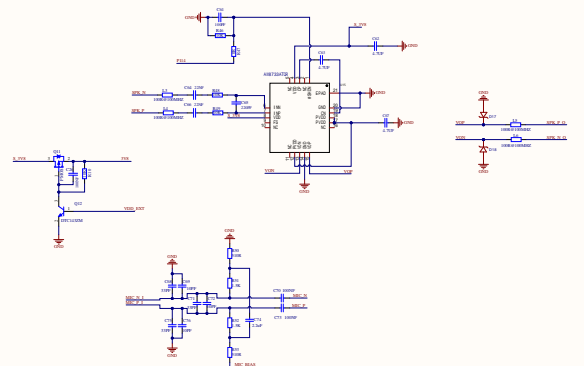
LIGHT



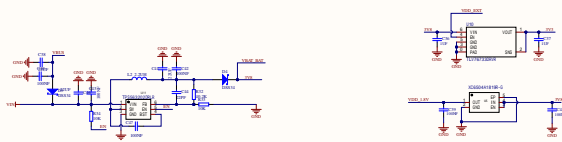
Level Translation



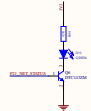
MIC&SPK



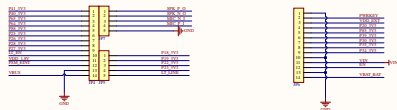
DCDC+LDO



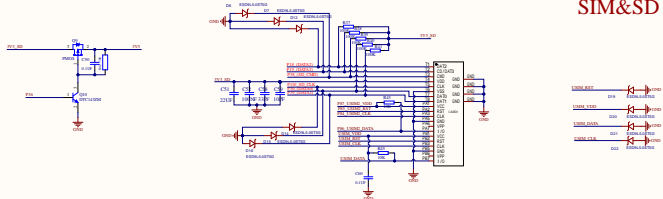
NET



28PIN+5PIN



SIM&SD



This document is for reference only. For your projects, Please refer Quetcel modules hardware design or reference design.

Table with 2 columns and 2 rows, likely a revision or version control table.