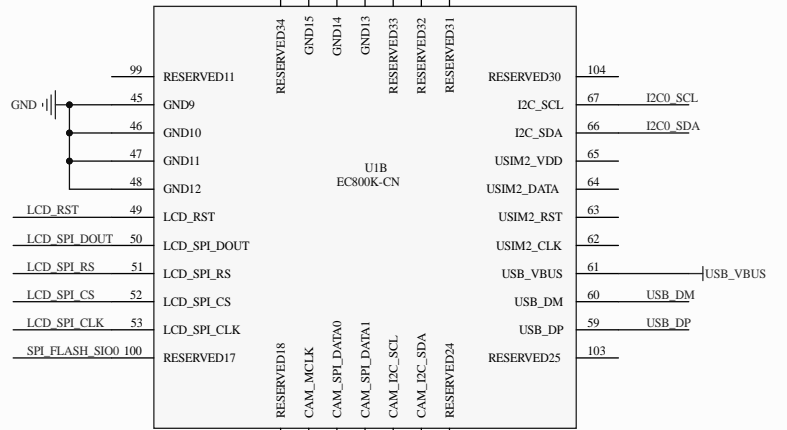
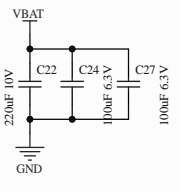
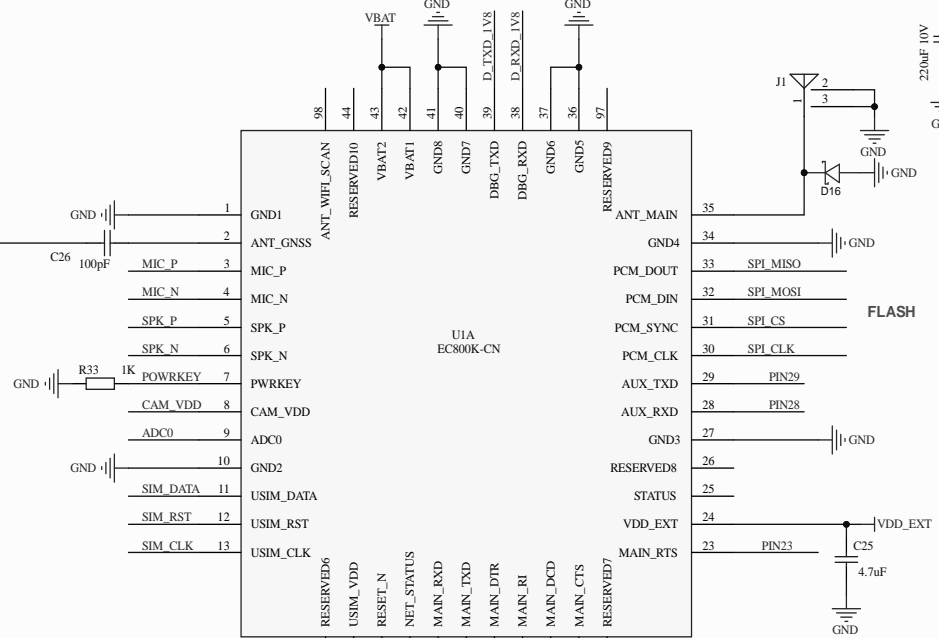
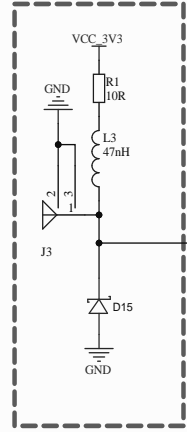
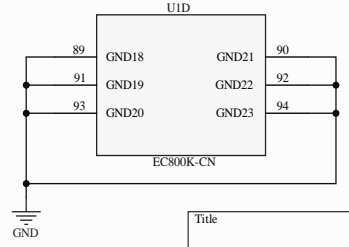
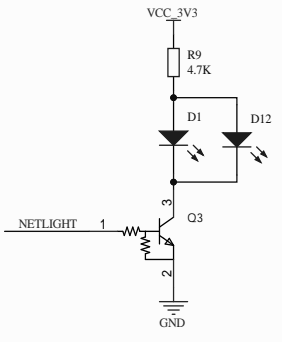
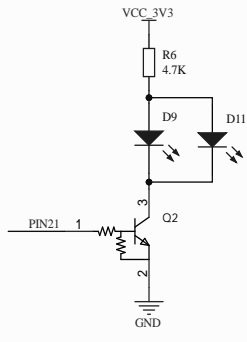
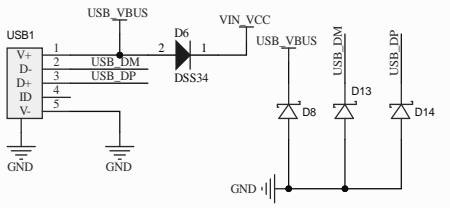
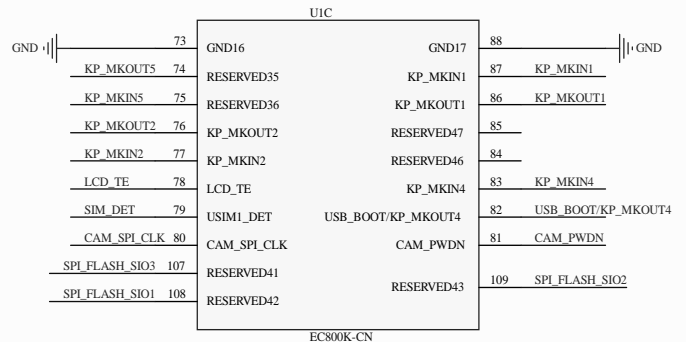


# 有源GNSS天线贴



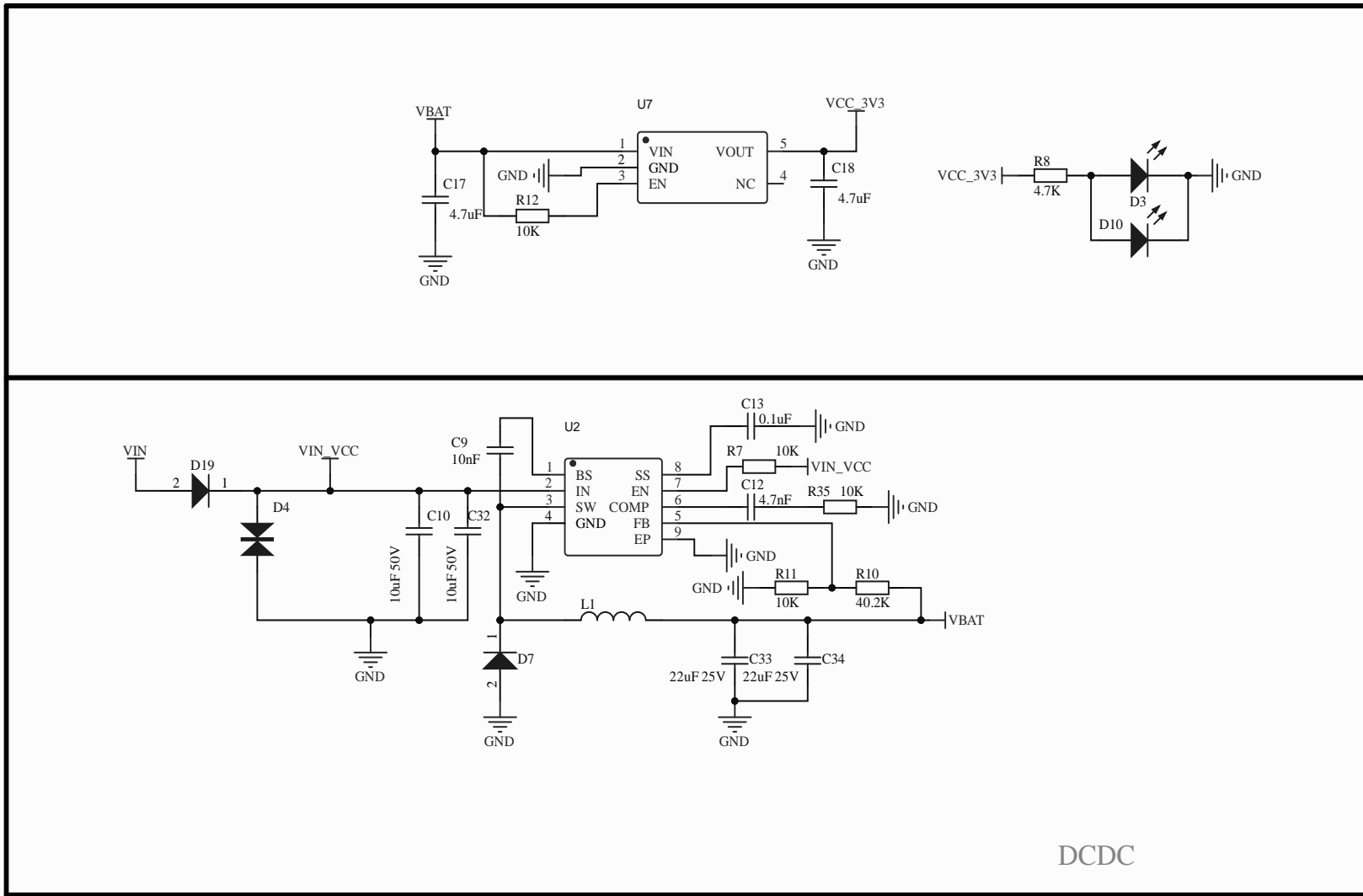
UART2/RS485  
485RE  
3V3\_EN  
LED  
WDT



Title		
Size	Number	Revision
A3		
Date:	11/22/2024	Sheet of
File:	F:\项目\EC800X.SchDoc	Drawn By:

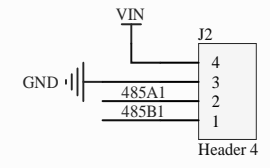
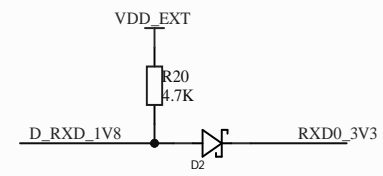
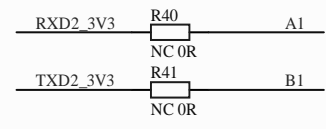
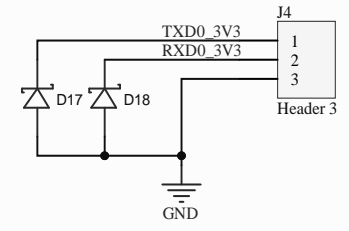
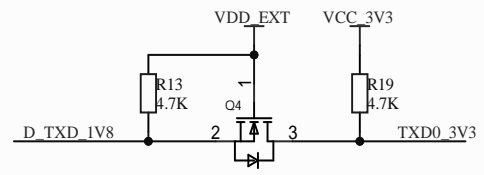
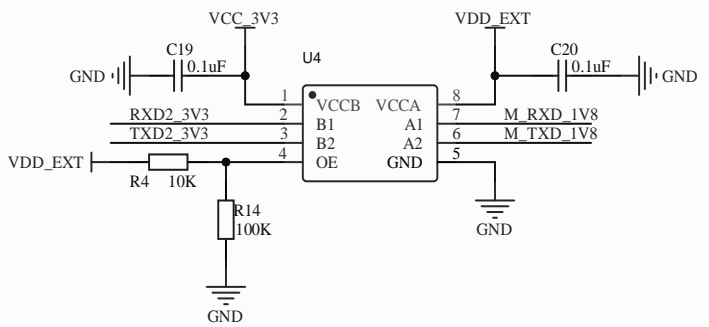
MICRO USB

LED

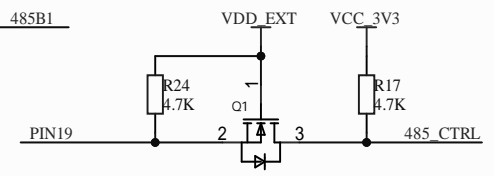
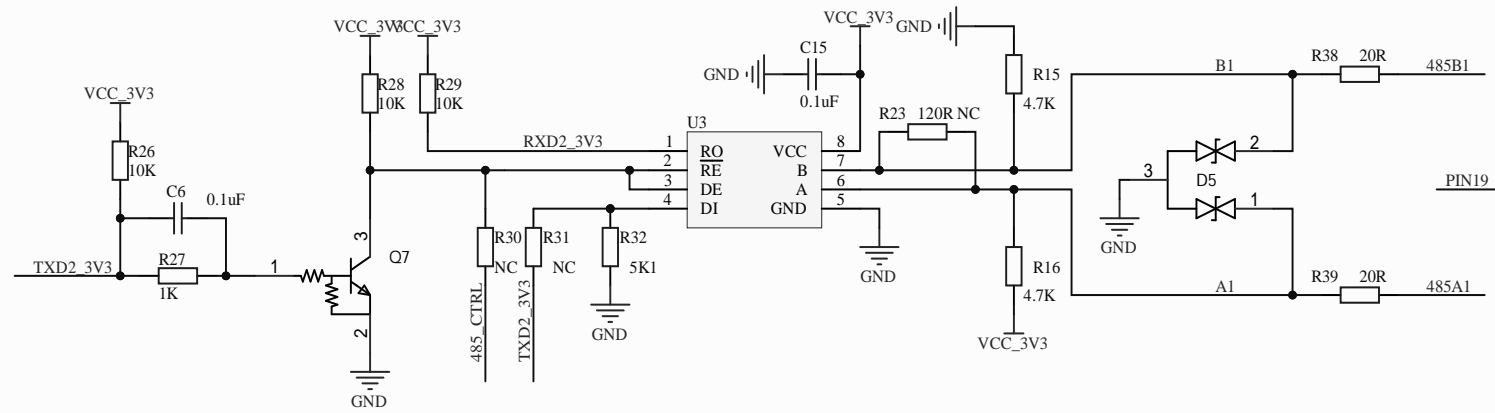


DCDC

Title		
Size	Number	Revision
A4		
Date:	11/22/2024	Sheet of
File:	F:\项目\...\POWER.SchDoc	Drawn By:

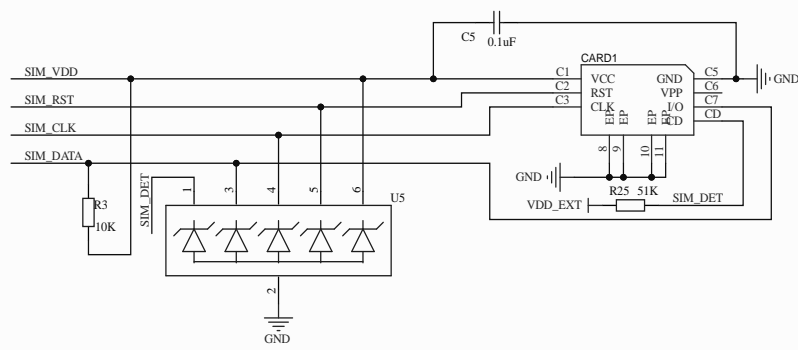


### 电平转换



### RS485

Title		
Size	Number	Revision
A4		
Date:	11/22/2024	Sheet of
File:	F:\项目\...\RS3485.SchDoc	Drawn By:



NANO SIM

Title		
Size	Number	Revision
A3		
Date:	11/22/2024	Sheet of
File:	F:\项目\NANO SIMCARD.SchDoc	Drawn By: